



MIC10938/10939

V. F. Dot Matrix Display Controller

Summary Information*—Not Recommended for New Designs

General Description

The MIC10938 and MIC10939 Dot Matrix Display Controller is a two-chip MOS/LSI general purpose display controller system designed to interface to dot matrix displays (vacuum fluorescent or LED).

The two-chip set will drive displays with up to 35 anodes (dots) and up to 20 grids (characters) plus a cursor. The chips can be cascaded to drive larger displays of as many as 80 characters.

An internal PLA-type decoder provides character decoding and dot pattern generation for the full 96-character ASCII set and an additional 32 special characters.

Micrel has received the rights from Rockwell International to manufacture and market this product and reproduce the specifications, including references to Rockwell.

Features

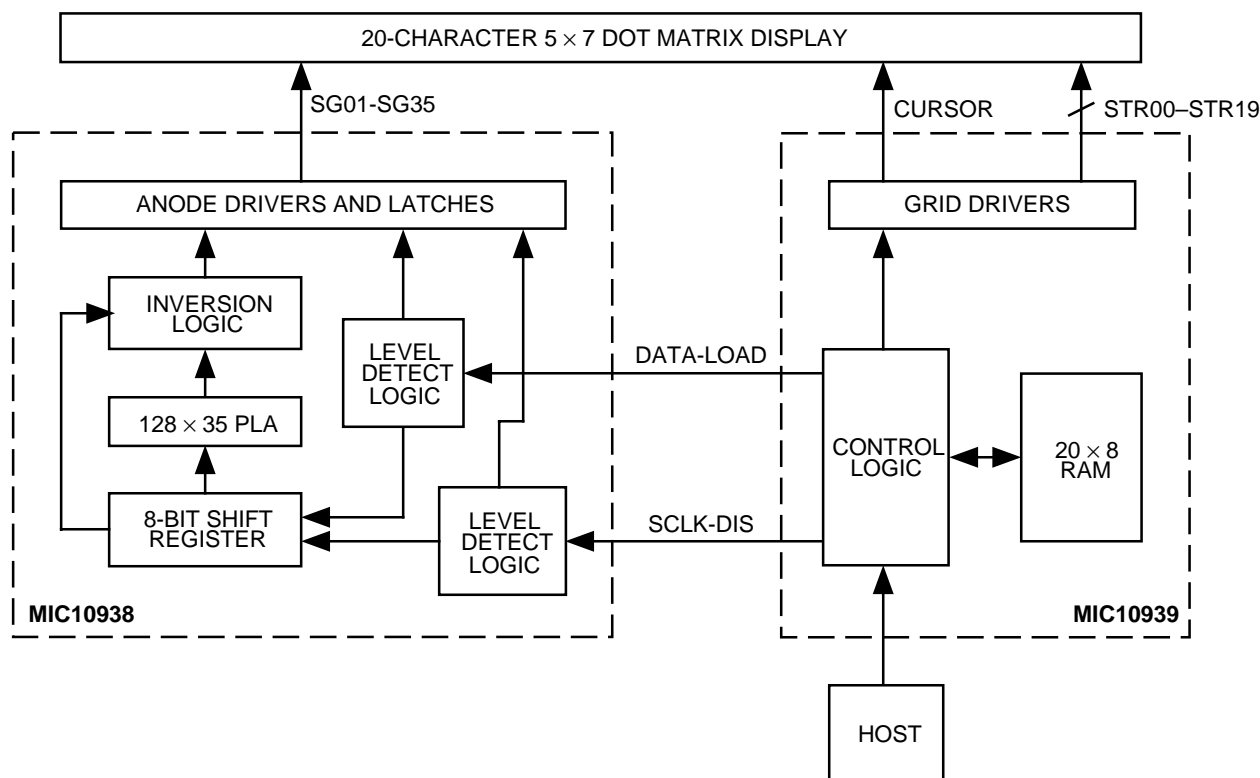
- 20-character display driver cascadable to 80 characters
- Standard 5 × 7 character font
- Separate cursor driver output
- Direct drive capability for vacuum-fluorescent displays
- 128 × 35 PLA provides segment decoding for full 96-character ASCII set, plus 32 special characters
- Serial or parallel data input for 8-bit display and control characters
- 40-pin DIP or 44-pin PLCC

Ordering Information

Part Number	Temperature Range	Package
MIC10938J-50	0°C to +70°C	44-pin PLCC
MIC10938P-50	0°C to +70°C	40-pin P-DIP
MIC10938PE-50	-40°C to +85°C	40-pin P-DIP
MIC10939J-50	0°C to +70°C	44-pin PLCC
MIC10939P-50	0°C to +70°C	40-pin P-DIP
MIC10939PE-50	-40°C to +85°C	40-pin P-DIP

‡ Dual-marked devices replace both 40V and 50V versions

Block Diagram



* Contact Micrel for more information.